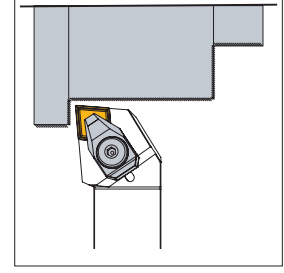
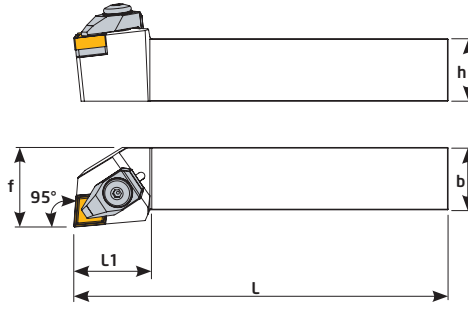
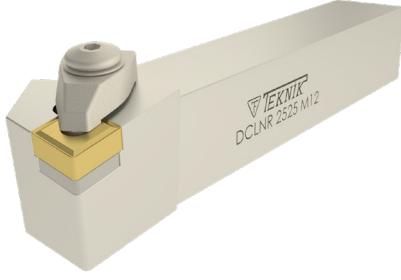
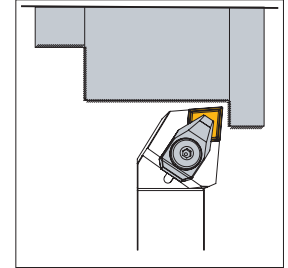
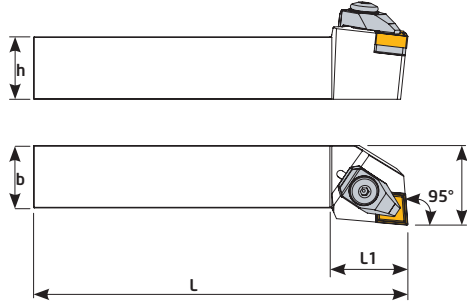
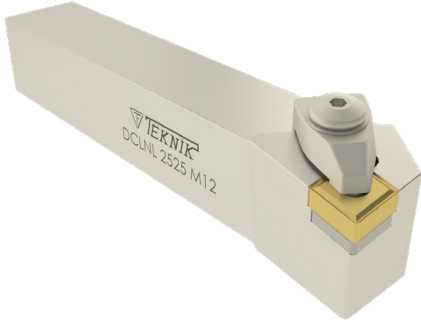


## 95° DCLNR



Sipariş Kodu Order Code Best.-Nr.	Stok/Stock/Lager	Ürün Kodu Product Code Produkt-Code	Ölçüler (mm) Dimensions(mm) Abmessungen (mm)							Uç Insert WSP	Altlık Shim U-Platte	Altlık Civatası Shim Screw U-Platte Schraube	Baskı Kepi Clamp Spannpratze	Baskı Civatası Locking Screw Verriegelungs Schraube	Yay Spring Feder	Pul Washer U-Scheibe	Anahtar Allen Key In- buss-Schlüs- sel
			L	L1	h	f	b	⊙									
D160	●	DCLNR 2020 K12	125	30	20	25	20	0,441	CN-- 1204	TA016-1	TC038 M4x10	BK020	TC044 M6	BY040	BSP030	3 Allen	
D162	●	DCLNR 2525 M12	150	30	25	32	25	0,785									
D164	●	DCLNR 3232 P12	170	30	32	40	32	1,379									
D162-1	●	DCLNR 2525 M16	150	36	25	32	25	0,432	CN-- 1606	TA022	TC095 M5x11,8	BK018	TC044 M6	BY040	BSP030	3 Allen	
D165	●	DCLNR 3232 P16	170	36	32	40	32	1,407									
D163	●	DCLNR 2525 M19	150	40	25	32	25	0,820	CN-- 1906	TA017	TC039 M6x12	BK025	TC047 M8	BY044	BSP032	5 Allen	
D166	●	DCLNR 3232 P19	170	40	32	40	32	1,430									
D166-1	●	DCLNR 4040 S19	250	40	40	40	40	3,195									

## 95° DCLNL



Sipariş Kodu Order Code Best.-Nr.	Stok/Stock/Lager	Ürün Kodu Product Code Produkt-Code	Ölçüler (mm) Dimensions(mm) Abmessungen (mm)							Uç Insert WSP	Altlık Shim U-Platte	Altlık Civatası Shim Screw U-Platte Schraube	Baskı Kepi Clamp Spannpratze	Baskı Civatası Locking Screw Verriegelungs Schraube	Yay Spring Feder	Pul Washer U-Scheibe	Anahtar Allen Key In- buss-Schlüs- sel
			L	L1	h	f	b	⊙									
D301	●	DCLNL 2020 K12	125	30	20	25	20	0,441	CN-- 1204	TA016-1	TC038 M4x10	BK020	TC044 M6	BY040	BSP030	3 Allen	
D302	●	DCLNL 2525 M12	150	30	25	32	25	0,785									
D305	●	DCLNL 3232 P12	170	30	32	40	32	1,379									
D303	●	DCLNL 2525 M16	150	36	25	32	25	0,432	CN-- 1606	TA022	TC095 M5x11,8	BK018	TC044 M6	BY040	BSP030	3 Allen	
D306	●	DCLNL 3232 P16	170	36	32	40	32	1,407									
D304	●	DCLNL 2525 M19	150	40	25	32	25	0,820	CN-- 1906	TA017	TC039 M6x12	BK025	TC047 M8	BY044	BSP032	5 Allen	
D307	●	DCLNL 3232 P19	170	40	32	40	32	1,430									
D307-2	●	DCLNL 4040 S19	250	40	40	40	40	3,195									